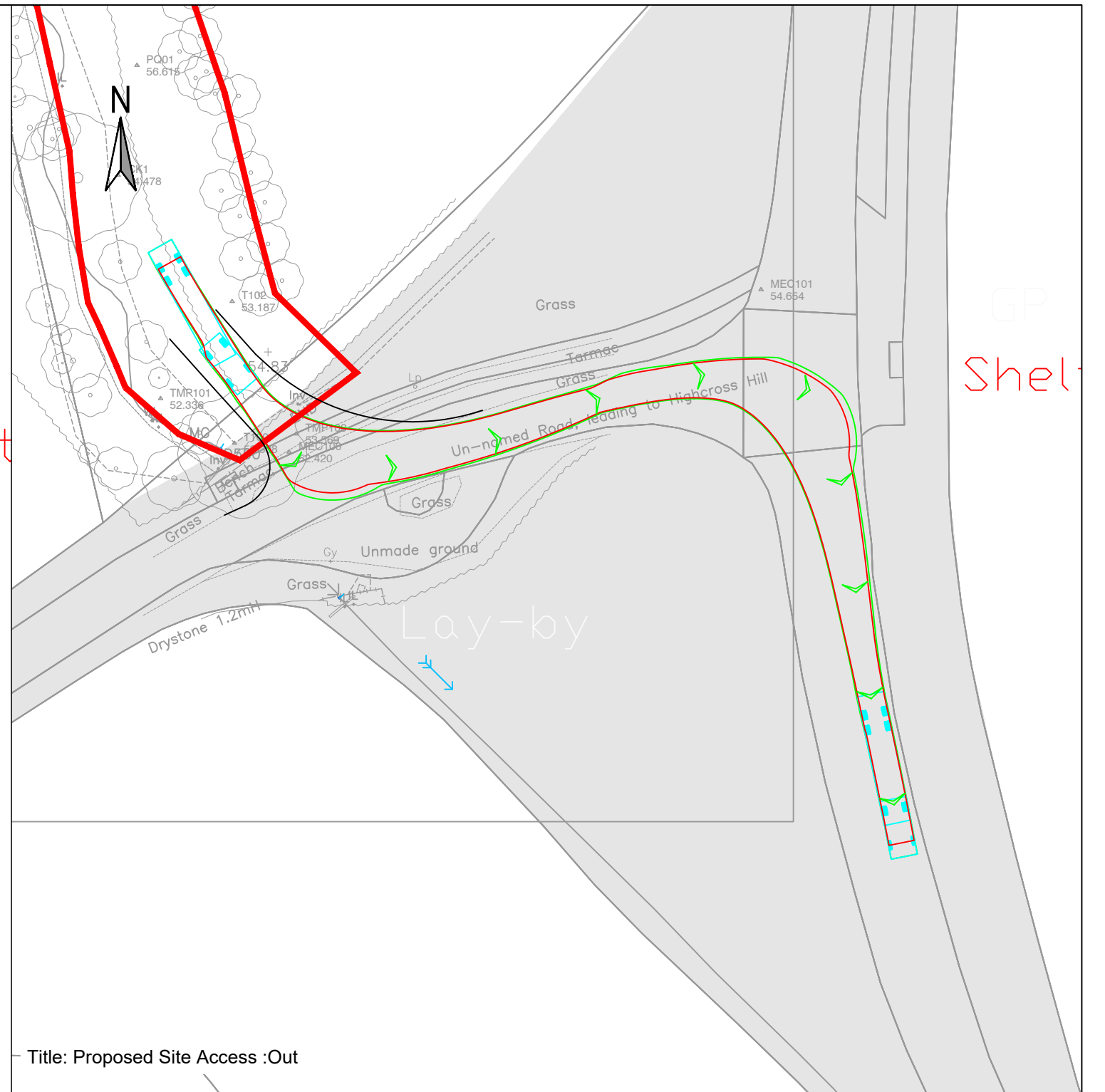
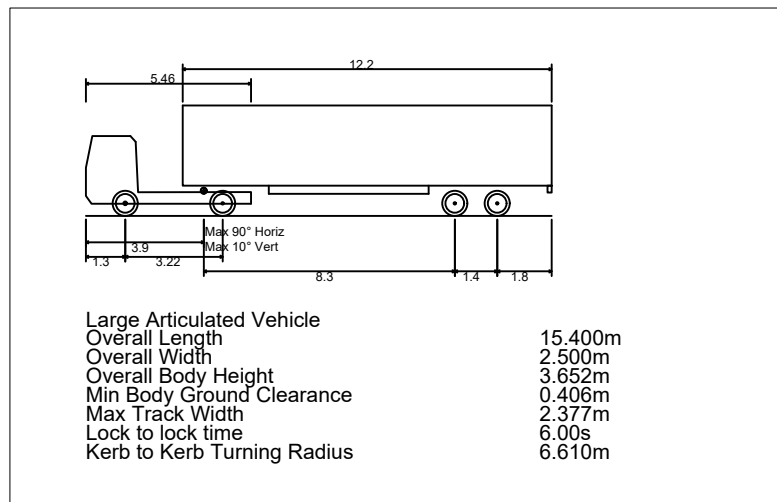


Title: Proposed Site Access: In



Title: Proposed Site Access :Out



First Floor, South Wing, Equinox
 North Great Park Road,
 Almondsbury, Bristol, BS32 4QL

 01454 625945
 www.pegasusgroup.co.uk
 Planning | Design | Environment | Economics



REV	DATE	BY	DESCRIPTION	CHK	APD
A	15/12/2020	ADWS	TRACKING AMENDED	OJS	OJS

CLIENT: JBM SOLAR	SCALE @ A3: 1:250	CHECKED: OJS	APPROVED: AJ
PROJECT: HALLOUGHTON SOLAR FARM	DATE: 12/03/2020	DESIGN-DRAWN: BB	DRAWING TYPE: SPA
TITLE: SWEPT PATH ANALYSIS: PROPOSED SITE ACCESS 15.4M ARTICULATED VEHICLE	PROJECT No: P18-2917	DRAWING No: FIGURE 2	REV: A

Copyright Pegasus Planning Group Ltd. Crown copyright. All rights reserved. Ordnance Survey Copyright Licence number 100042093. Promap Licence number 100020449. Emapsite Licence number 0100031673. Standard OS licence rights conditions apply. Pegasus accepts no liability for any use of this document other than for its original purpose, or by the original client, or following Pegasus' express agreement to such use. T 01285 641717 www.pegasuspg.co.uk